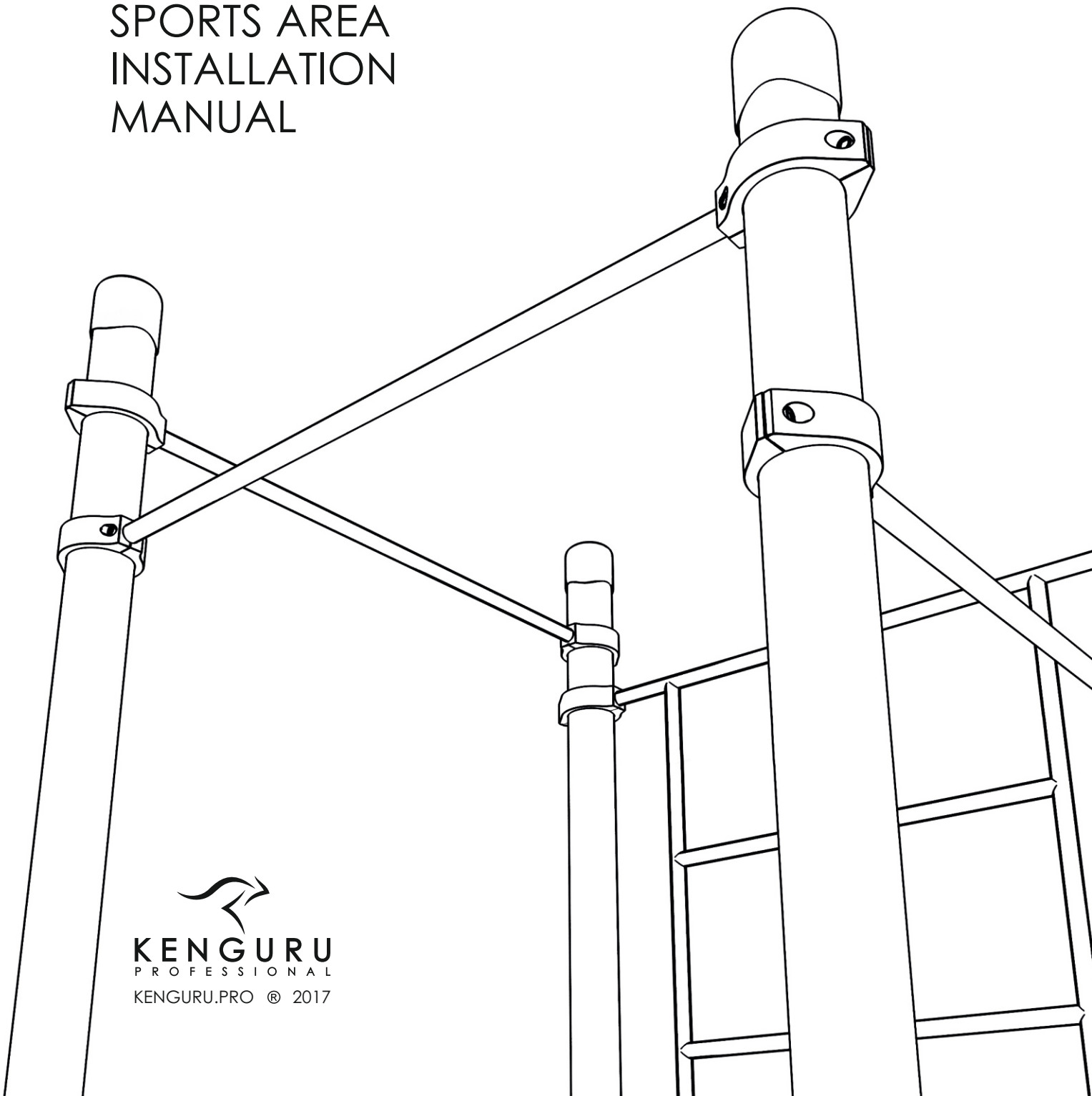


WORKOUT INDOOR EQUIPMENT

Indoor

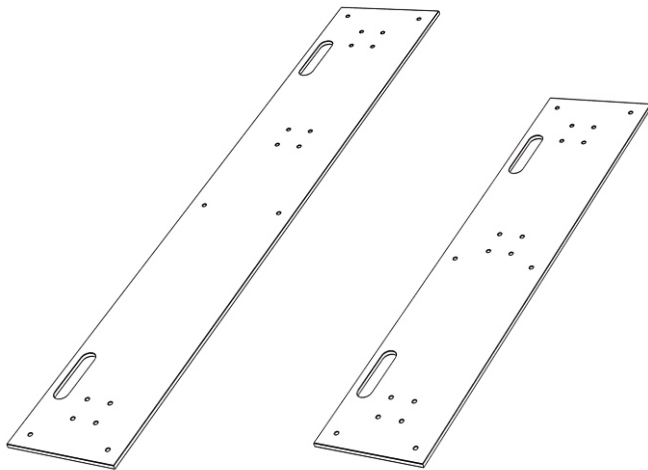
SPORTS AREA
INSTALLATION
MANUAL



KENGURU
PROFESSIONAL
KENGURU.PRO © 2017

A

EQUIPMENT and FASTENINGS

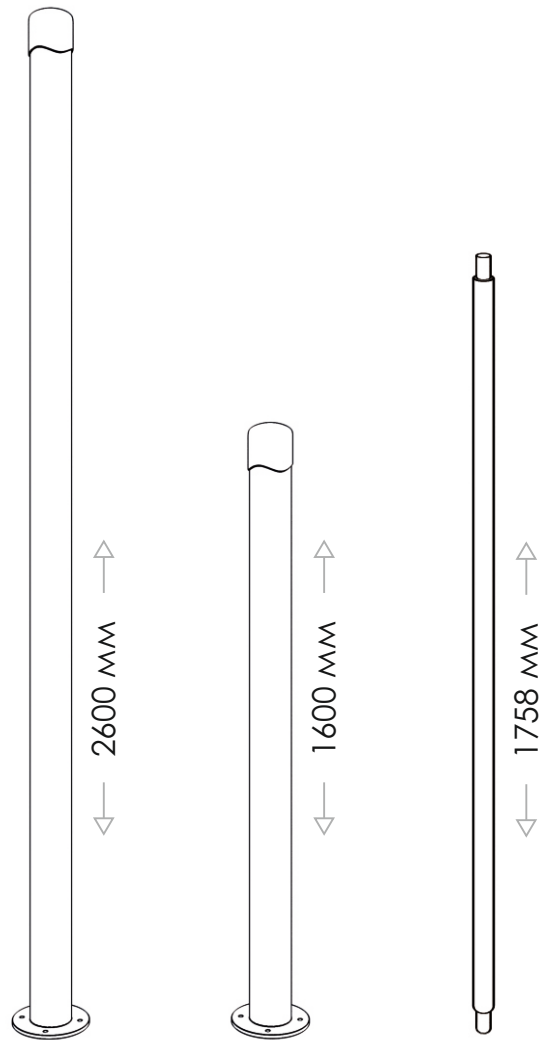


Z-01

No. 1 large platform

Z-02

No. 2 medium platform



Z-04

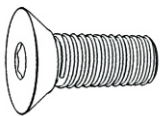
Vertical column with connecting flange

Z-05

Vertical column with connecting flange

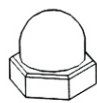
Z-06

Straight bar



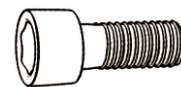
DIN 7991

Countersunk flathead screws with hexagonal recess
M12*30, galvanized



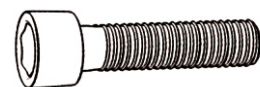
DIN 1587

Nut cap M12, galvanized



DIN 35

Security screw with hexagonal recess
grade 8.8, M10*35



DIN 60

Security screw with hexagonal recess
grade 8.8, M10*60



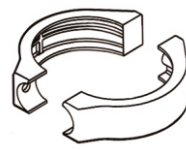
E-001
Crossbar



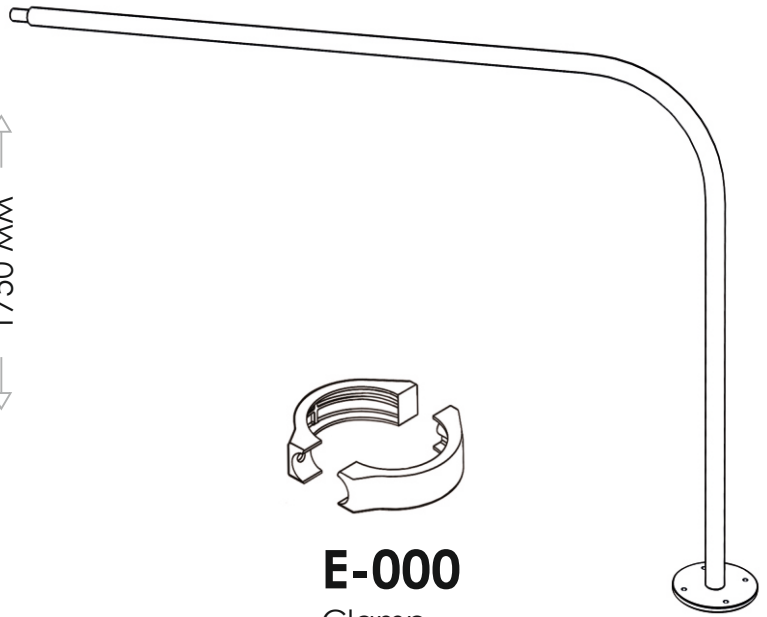
E-002
Crossbar



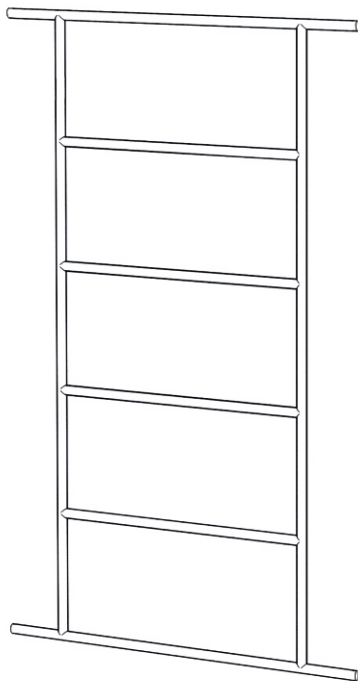
E-003
Crossbar



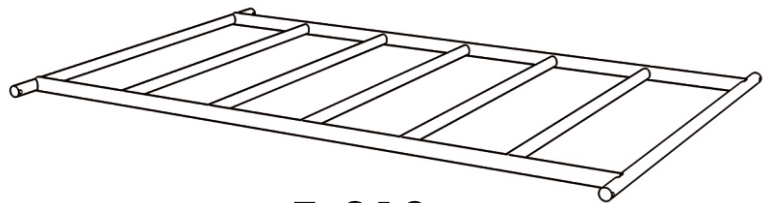
E-000
Clamp



Z-07
Bent bar



E-012
Swedish Wall

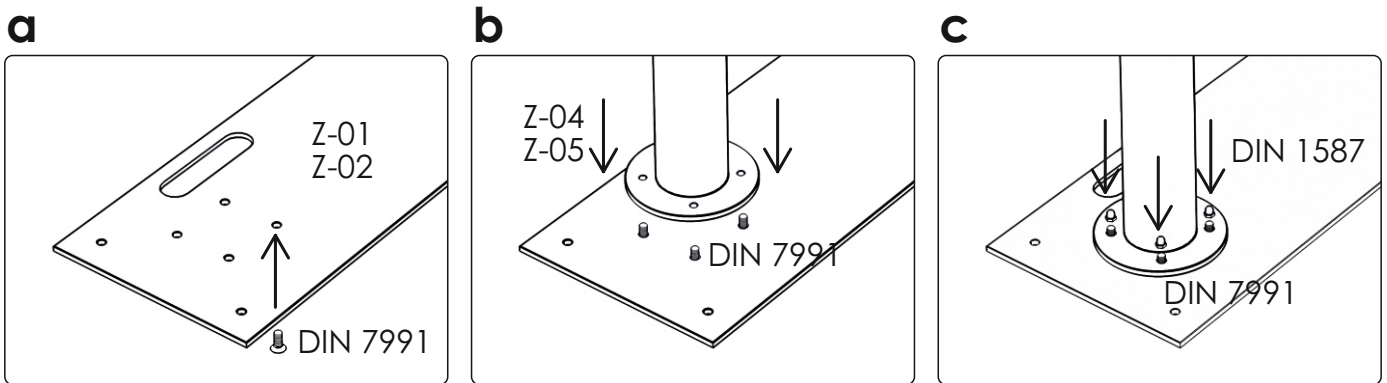


E-013
Monkey bar

B INSTALLATION

Installation of equipment must be done in following order:

1. INSTALLING THE COLUMNS ON THE PLATFORM

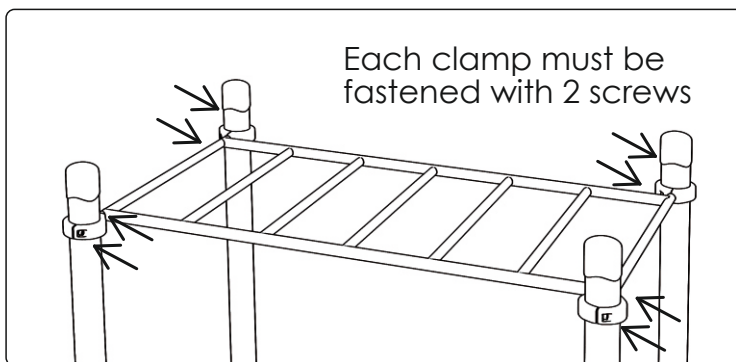


2. SET UP AREA

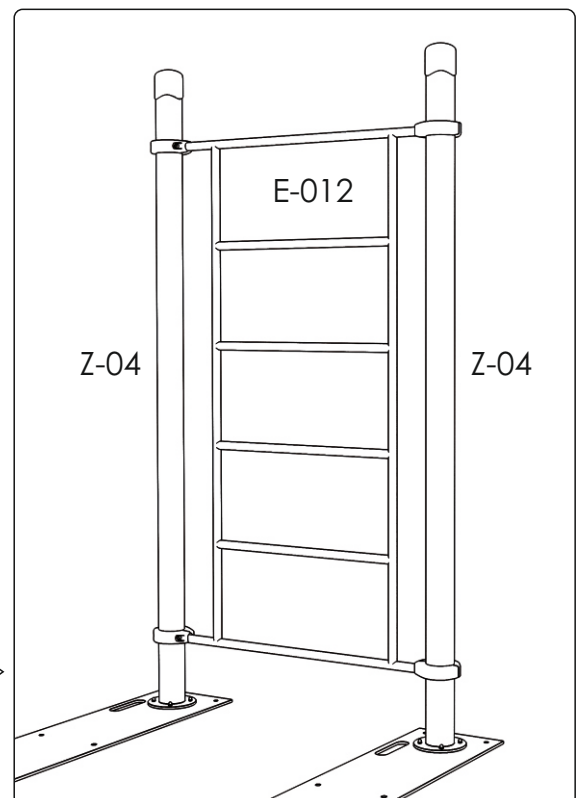
With columns fastened down, the platforms must be placed according to scheme of technical sheet.

3. SET UP AND INSTALLATION OF MONKEY BAR and SWEDISH WALL

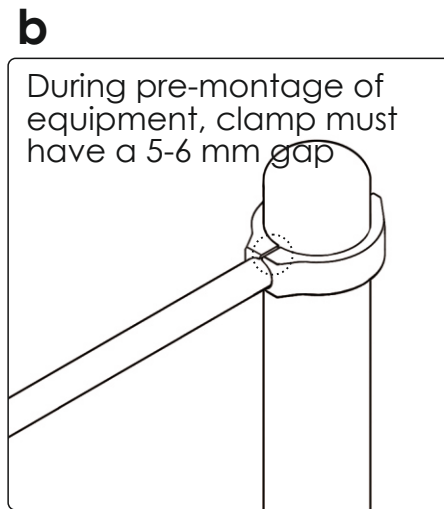
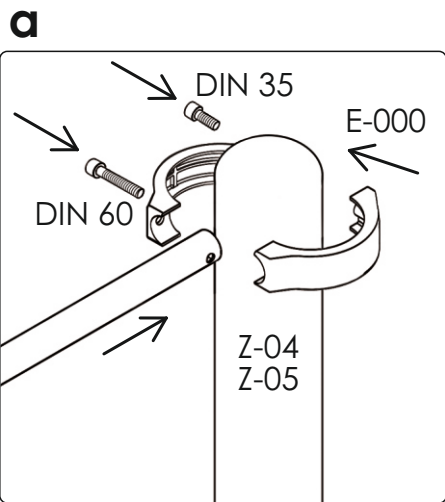
Monkey bar has to be installed first, and only then all the other elements. ▽



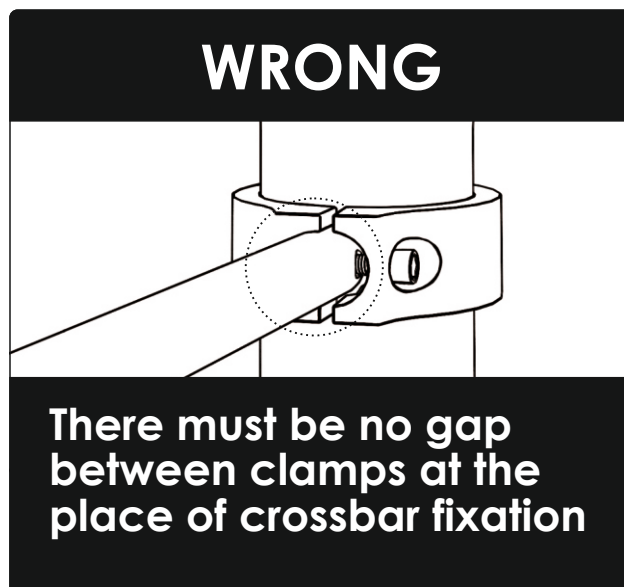
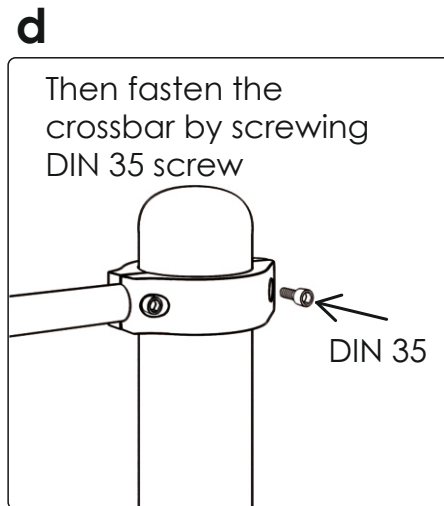
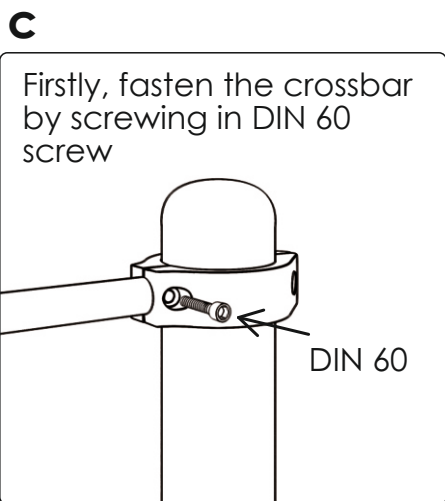
E-012 Swedish Wall is placed between columns and is fastened to the columns with four clamps. ▸



4. INSTALLATION OF CROSSBARS and PARALLEL BARS



Equipment pre-montage must be done on specially prepared surface, preventing paint coating from being damaged.



MAXIMUM TURN MOMENT FORCE OF CLAMP SCREW DURING THE CLAMP INSTALLATION = 50-55 Nm



INDOOR AREAS



D-001



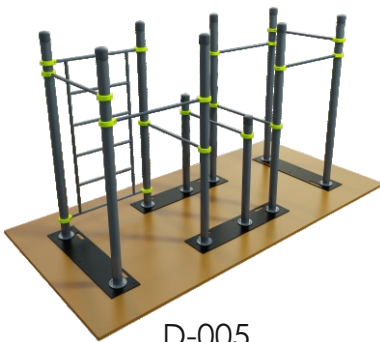
D-002



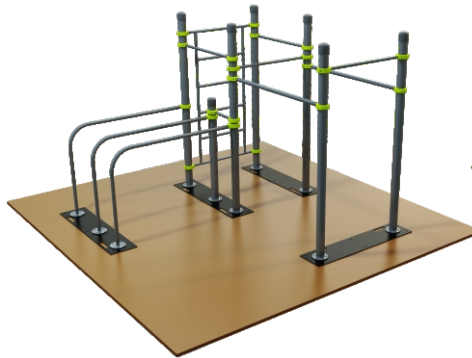
D-003



D-004



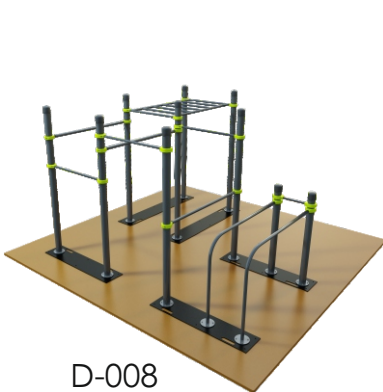
D-005



D-006



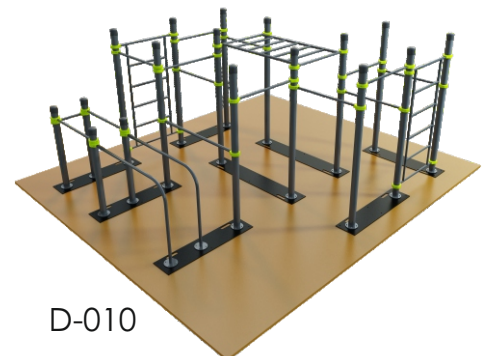
D-007



D-008



D-009



D-010



INDOOR EQUIPMENT

	D-001	D-002	D-003	D-004	D-005	D-006	D-007	D-008	D-009	D-010
Z-01			2	2			2	2		2
Z-02	2	2		1	4	4	2	3	5	6
Z-04		4	4	6	8	6	6	8	8	13
Z-05	3		2		2	1	2	2	1	4
Z-06						2	1	1		1
Z-07	3					3	2	2	3	2
E-001	1					1	1	1	1	1
E-002		3	4	2	8	4	1	3	8	13
E-003							4	2		
E-012		1	1	1	1	1	1		1	2
E-013				1				1		1
E-000 clamp	5	10	12	12	20	21	20	20	25	44
DIN 7991	24	16	24	24	40	40	40	48	48	76
DIN 1587	24	16	24	24	40	40	40	48	48	76
DIN 35	5	10	12	12	20	21	20	20	25	44
DIN 60	5	10	12	12	20	21	20	20	25	44



© 2017

WWW.KENGURUPRO.EU
E-MAIL: INFO@KENGURUPRO.EU