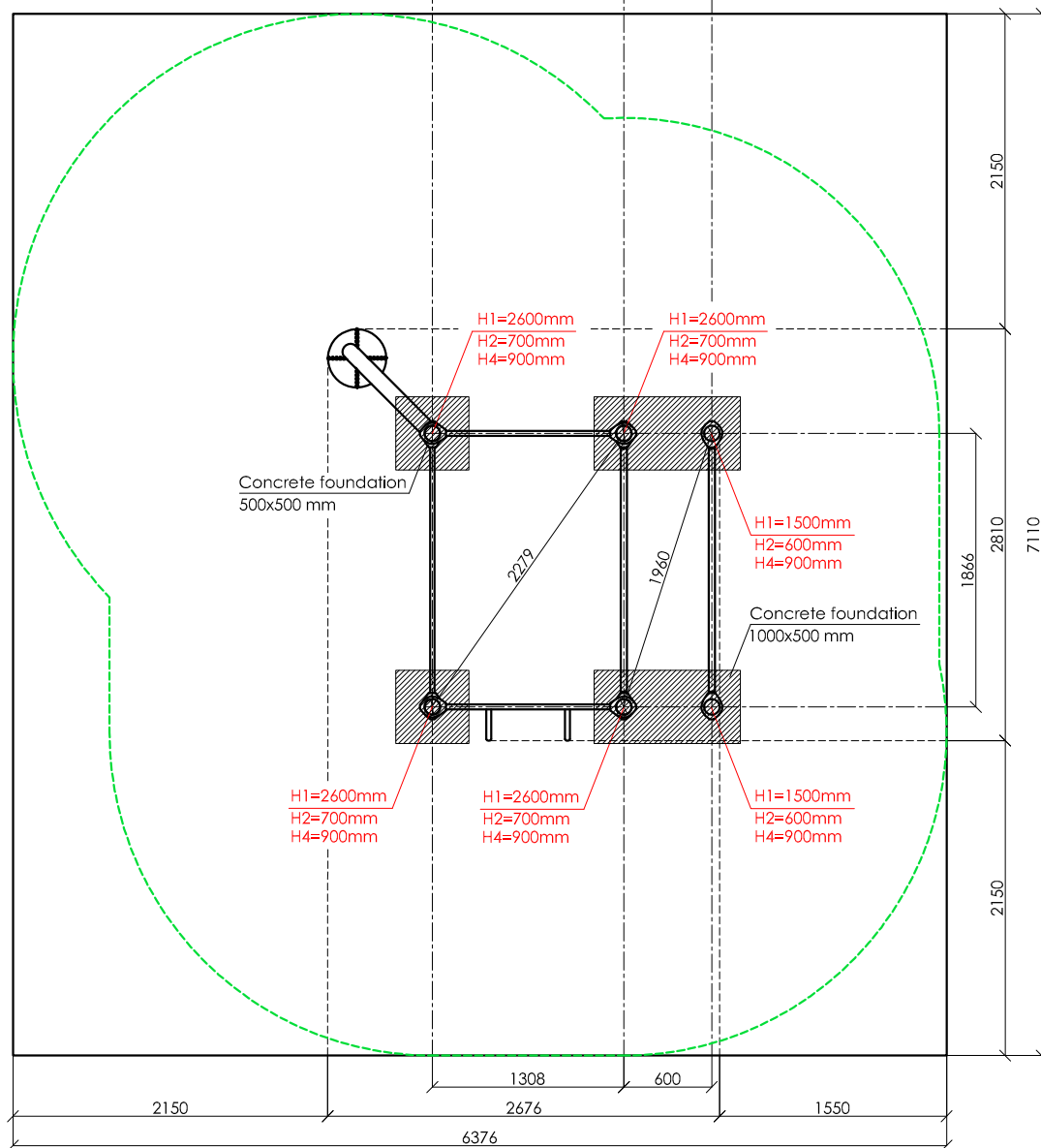
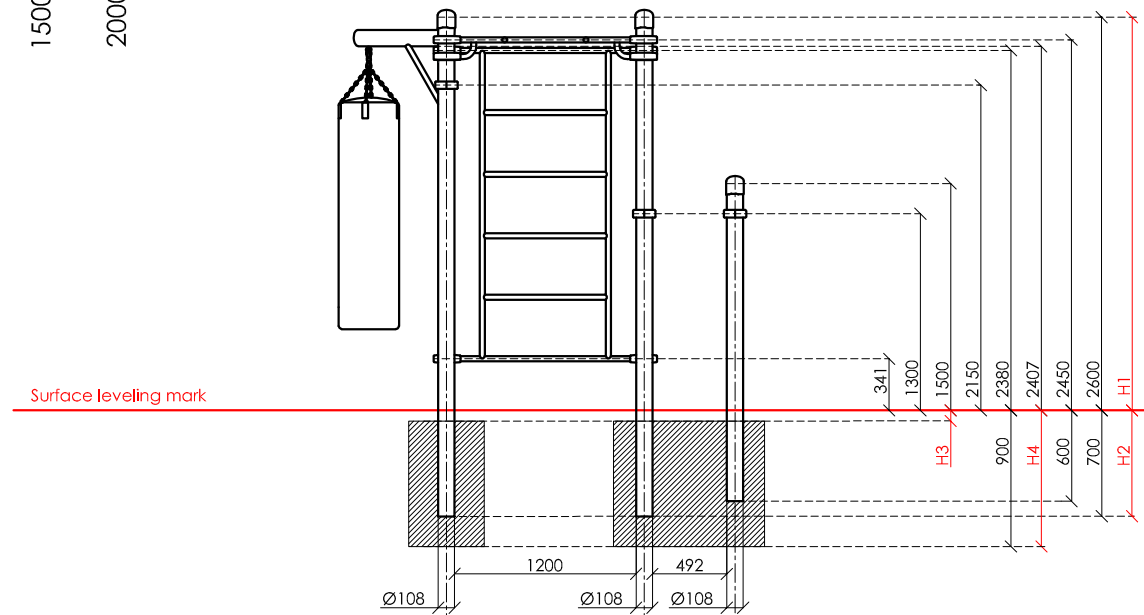
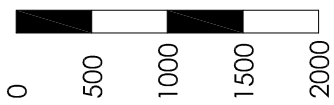


SCALE 1:50



**KENGURU  
PRO**

"KENGURU PRO" LTD

Address: Lauteres street 4, Riga, Latvia, LV-1002  
 VAT Reg. No. 40103750152  
 Bank: A/S Luminor bank, SWIFT: RIKOLV2X ,  
 Bank Account: LV65RIKO0002930161161  
 e-mail: info@kengurupro.eu  
 www.kengurupro.eu

K-045

Hammer (Outdoor)



The complex consists of six vertical columns of different height, one crossbar 1758 mm in length, a hammer bar, a pair of parallel bars and a Swedish wall. The complex includes a heavy boxing bag. Height of the Swedish wall – 2073 mm. The distance between the crossbars of the Swedish wall – 407 mm. Construction is secured together with siluminium clamps.

Weight 280,0 kg

Installation instructions:

- Choose a suitable underground for the unit (see page 2, table 2)!
- Prepare the construction pit with a drilling machine or other devices.
- Before pouring the concrete all structures elements must be leveled and fixed.
- Complex elements must be fixed and bolted together with metal clamps.
- Ready-made C25 concrete should be used.
- Crossbars installation height can be changed according to customer's wishes.
- Approximately 0,15m<sup>3</sup> concrete is needed for each spot foundation.
- Under the structures we recommend to install absorbing rubber cover.

The size of the hole for the foundation is depending on the consistency of the ground. The dimensions mentioned above are applicable for normal conditions with firm ground. If the ground is extremely soft, a much bigger foundation is needed. Use only appropriate material and follow the installation instructions closely!!!

Foundation plan and area of movement of the K-045 Hammer (Outdoor)

Technical information

Foundation when using Shock absorbing underground (synthetic – rubber granulates)		Beveling of foundation when using loose filling material		Technical information				
				width:	2810 mm			
				height:	2650 mm			
				length:	2676 mm			
				largest part:	3350 mm			
				weight:	280.0 kg			
				floor space required	6376 x 7110 mm			
				pipe measurements:	diameter:	108 mm	wall thickness:	3.2 mm
					42.4 mm		3.2 mm	
					33.7 mm		3.2 mm	
				metal parts:	steel, galvanized, powder coated RAL 7016 (anthracite grey)			
				metal clamps:	siluminium, powder coated, RAL 5018 (turquoise blue)			
				bolts for metal clamps	stainless steel, Pin Hex Button Head Security Screws M10			
				max. free fall height:	< 2450 mm	possible underground see DIN 79000:2012-05 Tab.2 or installation instructions		
				user height:	> 140 cm			
				maximum user weight:	130 kg			
				certificates:				