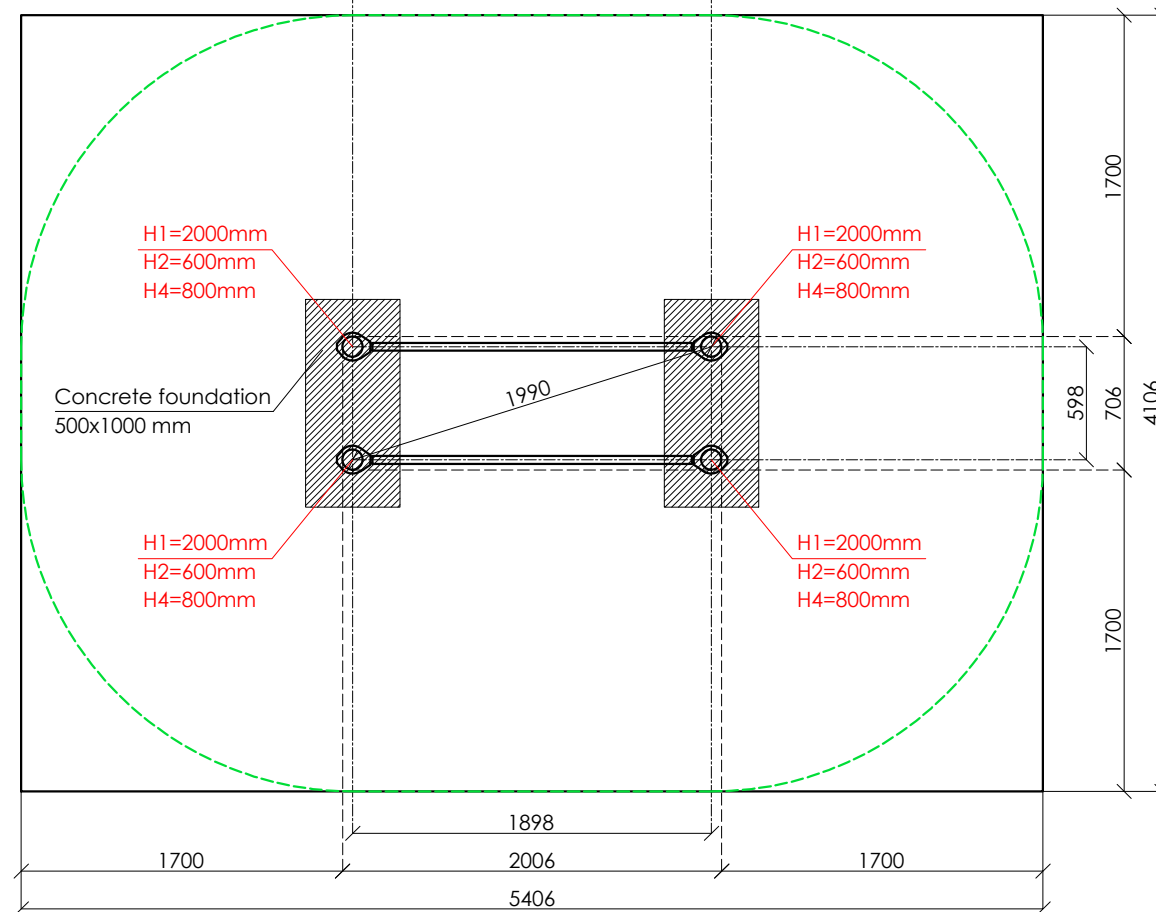
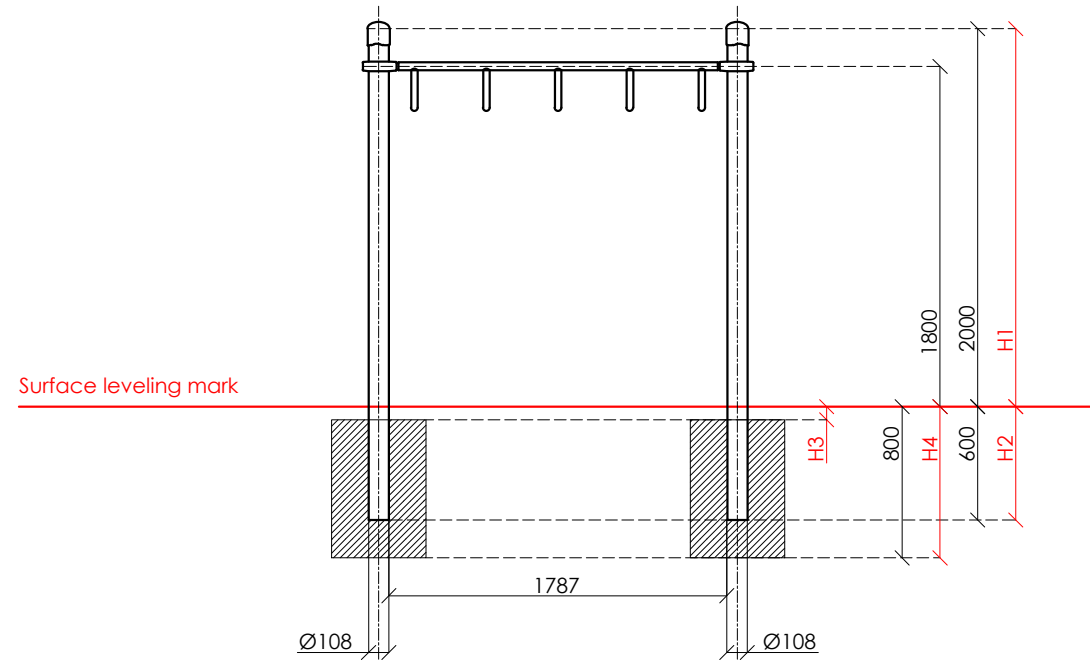


SCALE 1:40



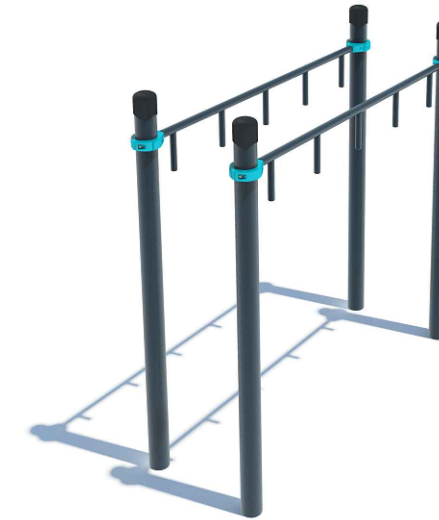
**KENGURU  
PRO**

"KENGURU PRO" LTD

Address: Lauteres street 4, Riga, Latvia, LV-1002  
 VAT Reg. No. 40103750152  
 Bank: A/S Luminor bank, SWIFT: RIKOLV2X ,  
 Bank Account: LV65RIKO0002930161161  
 e-mail: info@kengurupro.eu  
 www.kengurupro.eu

P-010

PARAKENGURU Hammer bars



The complex consists of four vertical columns 2000mm in height and two hammer bars 1790 mm in length. Distance between the crossbars of the hammer bar is 380mm. The distance between the bars is 598 mm. Hammer bars are placed at 1800mm height. Construction is secured together with siluminium clamps.

**Installation instructions:**

- Choose a suitable underground for the unit.
- Prepare the construction pit with a drilling machine or other devices.
- Before pouring the concrete all structures elements must be leveled and fixed.
- Complex elements must be fixed and bolted together with metal clamps.
- Ready-made C25 concrete should be used.
- Crossbars installation height can be changed according to customer's wishes.
- Approximately 0,15m³ concrete is needed for each spot foundation.
- Under the structures we recommend to install absorbing rubber cover.

The size of the hole for the foundation is depending on the consistency of the ground. The dimensions mentioned above are applicable for normal conditions with firm ground. If the ground is extremely soft, a much bigger foundation is needed. Use only appropriate material and follow the installation instructions closely!!!

Foundation plan and area of movement of the P-010 PARAKENGURU Hammer bars				Technical information	
Foundation when using Shock absorbing underground (synthetic – rubber granulates)		Beveling of foundation when using loose filling material		width:	706 mm
				height:	2050 mm
				length:	2006 mm
				largest part:	2650 mm
				weight:	129.6 kg
				floor space required	5406 x 4106 mm
<b>H3</b>	<b>Drop height</b>	<b>H3</b>	<b>Drop height</b>	pipe measurements:	diameter:
40 mm	> 1.2.....1.4 m	20 cm	< 1.0 m		108 mm
50 mm	> 1.5.....1.7 m	30 cm	< 2.0 m		42.4 mm
60 mm	> 1.8.....2.0 m	40 cm	< 3.0 m		33.7 mm
70 mm	> 2.1.....2.5 m				3.2 mm
					3.2 mm
				metal parts:	steel, galvanized, powder coated RAL 7016 (anthracite grey)
				metal clamps:	siluminium, powder coated, RAL 5018 (turquoise blue)
				bolts for metal clamps:	stainless steel, Pin Hex Button Head Security bolts M10
				max. free fall height:	< 1800 mm
					possible underground see DIN 79000:2012-05 Tab.2 or installation instructions
				user height:	> 140 cm
				maximum user weight:	130 kg
				certificates:	TÜV Rheinland InterCert Kft.

