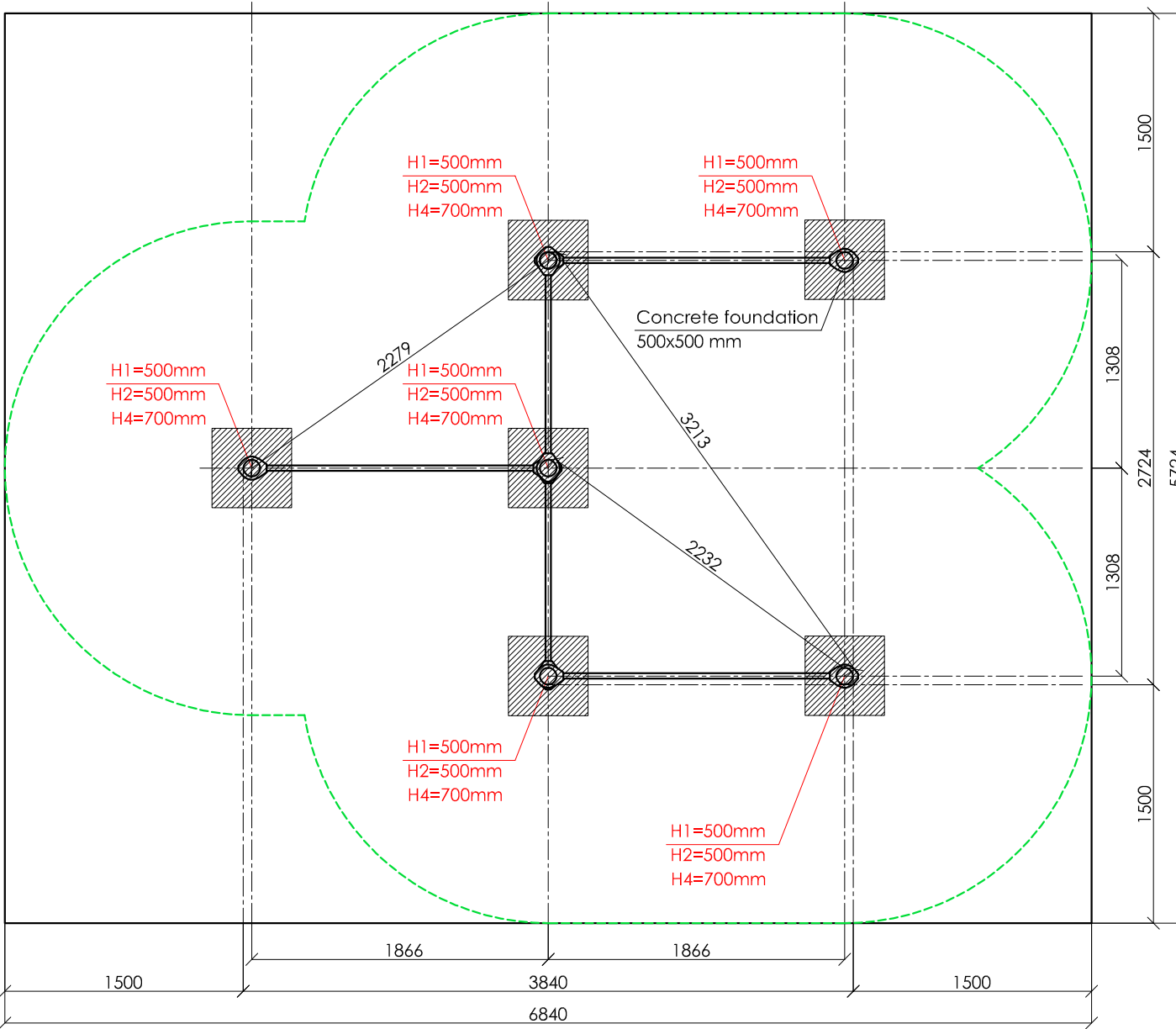
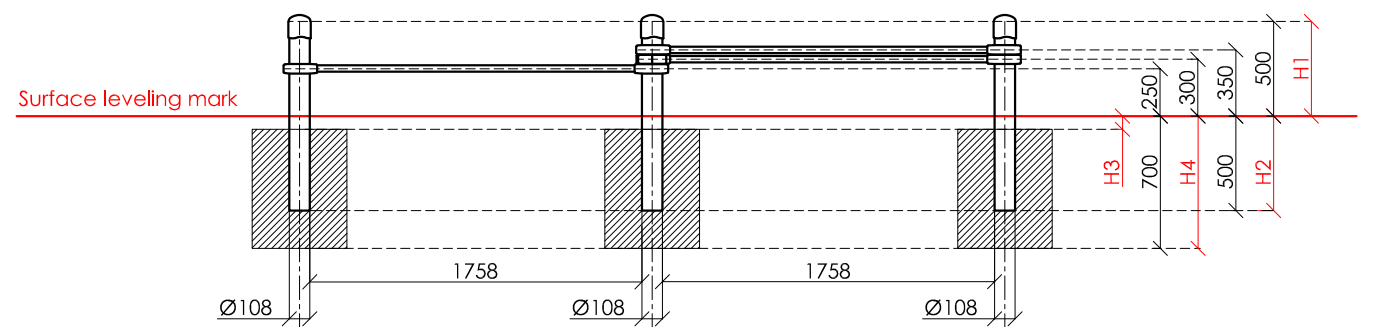
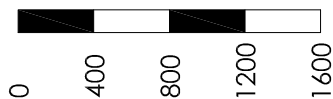


SCALE 1:40

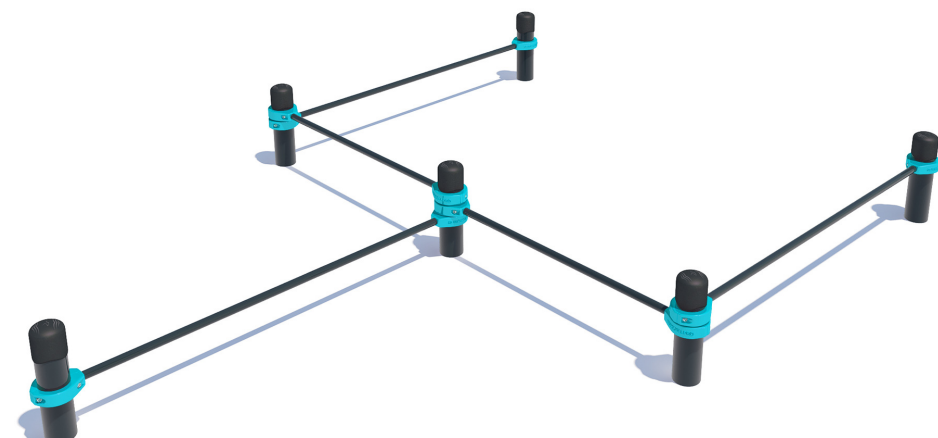


**KENGURU
PRO**

"KENGURU PRO" LTD
 Address: Lauteres street 4, Riga, Latvia, LV-1002
 VAT Reg. No. 40103750152
 Bank: A/S Luminor bank, SWIFT: RIKOLV2X,
 Bank Account: LV65RIKO0002930161161
 e-mail: info@kengurupro.eu
 www.kengurupro.eu

PK-002

Kenguru PARKOUR



The structure consists of six vertical columns and five crossbars. The length of crossbars: 2 pieces – 1200 mm, 3 pieces – 1758 mm. The structure is secured together with siluminium clamps. Weight – 82,00 kg.

Installation instructions:

- Choose a suitable underground for the unit (see page 2, table 2)!
- Prepare the construction pit with a drilling machine or other devices.
- Before pouring the concrete all structures elements must be leveled and fixed.
- Complex elements must be fixed and bolted together with metal clamps.
- Ready-made C25 concrete should be used.
- Crossbars installation height can be changed according to customer's wishes.
- Approximately 0,15m³ concrete is needed for each spot foundation.
- Under the structures we recommend to install absorbing rubber cover.

The size of the hole for the foundation is depending on the consistency of the ground. The dimensions mentioned above are applicable for normal conditions with firm ground. If the ground is extremely soft, a much bigger foundation is needed. Use only appropriate material and follow the installation instructions closely!!!

Foundation plan and area of movement of the Kenguru PARKOUR complex PK-002				Technical information	
Foundation when using Shock absorbing underground (synthetic – rubber granulates)		Beveling of foundation when using loose filling material		width:	2724 mm
				height:	550 mm
				length:	3840 mm
				largest part:	1758 mm
				weight:	82,0 kg
				floor space required: 5724 x 6840 mm	
				pipe measurements:	
				diameter:	108 mm
				wall thickness:	3.2 mm
					33.7 mm
				metal parts: steel, galvanized, powder coated RAL 7016 (anthracite grey)	
				metal clamps: siluminium, powder coated, RAL 5018 (turquoise blue)	
				bolts for metal clamps: stainless steel, Pin Hex Button Head Security bolts M10	
				max. free fall height:	< 350 mm
				possible underground see DIN 79000:2012-05 Tab.2 or installation instructions	
				user height:	> 140 cm
				maximum user weight:	130 kg
				certificates:	TÜV Rheinland InterCert Kft.

