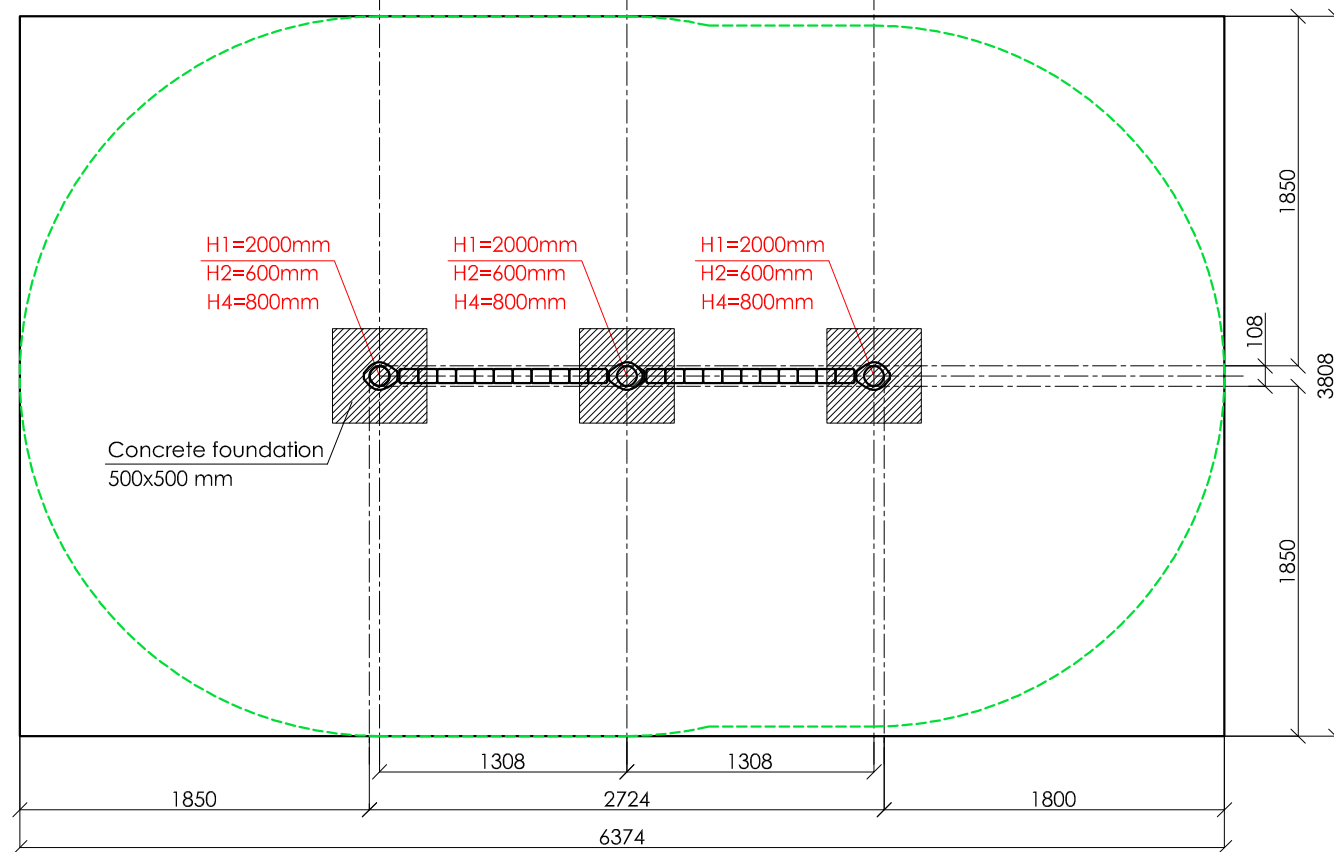
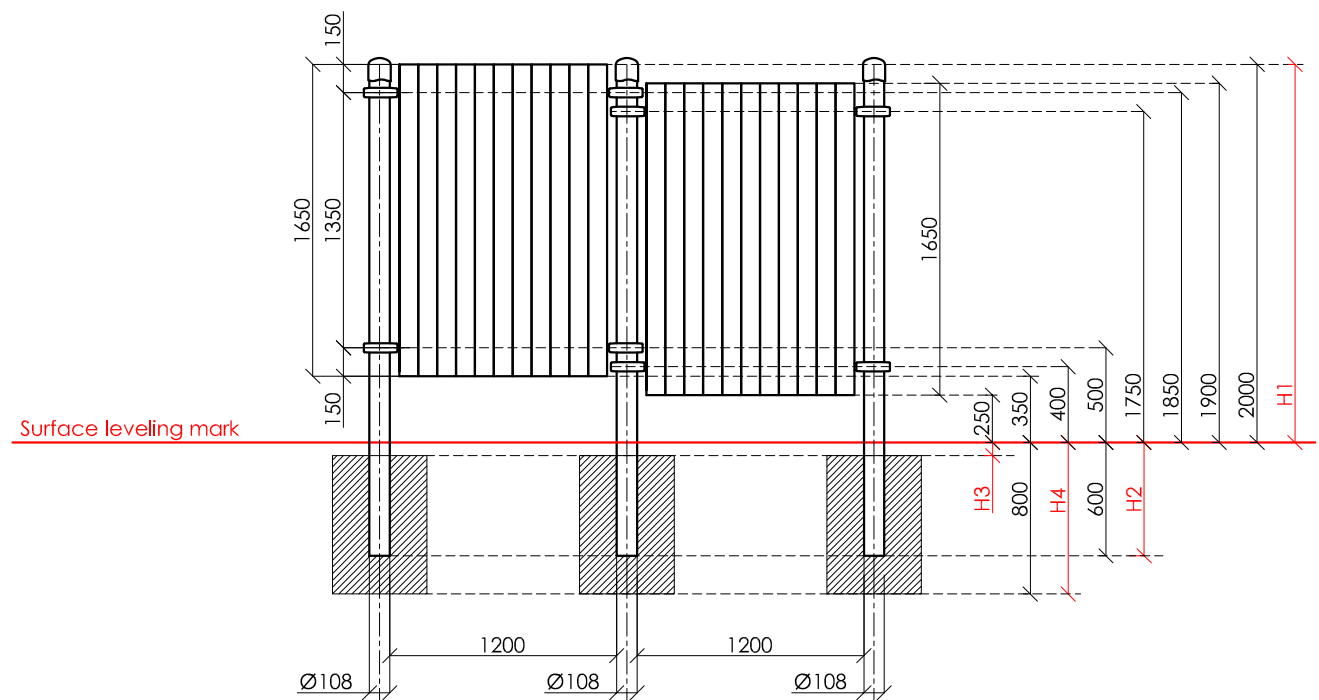


SCALE 1:40



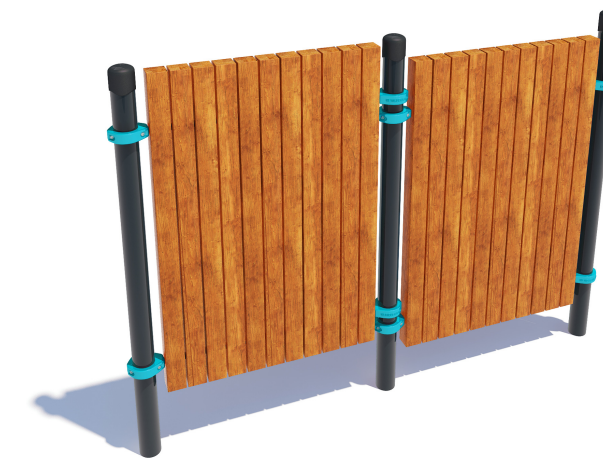
**KENGURU
PRO**

"KENGURU PRO" LTD

Address: Lauteres street 4, Riga, Latvia, LV-1002
 VAT Reg. No. 40103750152
 Bank: A/S Luminor bank, SWIFT: RIKOLV2X,
 Bank Account: LV65RIKO0002930161161
 e-mail: info@kengurupro.eu
 www.kengurupro.eu

PK-005

Kenguru PARKOUR



The structure consists of three vertical columns and two wooden wall sections. Each of the walls is mounted on two crossbars 1200 mm in length. Height of the walls is 1650 mm. The structure is secured together with siluminium clamps. Weight – 329.30 kg

Installation instructions:

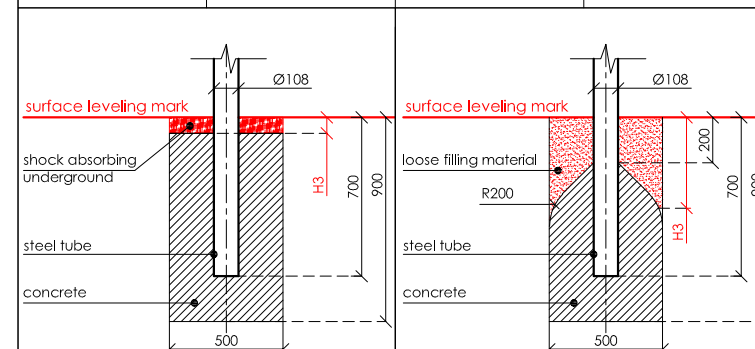
- Choose a suitable underground for the unit (see page 2, table 2)!
- Prepare the construction pit with a drilling machine or other devices.
- Before pouring the concrete all structures elements must be leveled and fixed.
- Complex elements must be fixed and bolted together with metal clamps.
- Ready-made C25 concrete should be used.
- Crossbars installation height can be changed according to customer's wishes.
- Approximately 0,15m³ concrete is needed for each spot foundation.
- Under the structures we recommend to install absorbing rubber cover.

The size of the hole for the foundation is depending on the consistency of the ground. The dimensions mentioned above are applicable for normal conditions with firm ground. If the ground is extremely soft, a much bigger foundation is needed. Use only appropriate material and follow the installation instructions closely!!!

Foundation plan and area of movement of the Kenguru PARKOUR complex PK-005

Foundation when using Shock absorbing underground (synthetic - rubber granulates)		Beveling of foundation when using loose filling material	
H3	Drop height	H3	Drop height
40 mm	> 1.2.....1.4 m	20 cm	< 1.0 m
50 mm	> 1.5.....1.7 m	30 cm	< 2.0 m
60 mm	> 1.8.....2.0 m	40 cm	< 3.0 m
70 mm	> 2.1.....2.5 m		

Technical information	
width:	108 mm
height:	2050 mm
length:	2724 mm
largest part:	2650 mm
weight:	329,3 kg
floor space required	3808 x 6374 mm
pipe measurements:	diameter: wall thickness:
	108 mm 3.2 mm
	33.7 mm 3.2 mm



metal parts:	steel, galvanized, powder coated RAL 7016 (anthracite grey)	
metal clamps:	siluminium, powder coated, RAL 5018 (turquoise blue)	
bolts for metal clamps	stainless steel, Pin Hex Button Head Security bolts M10	
wooden beam measurements:	Height, width	Length
	75 x 100 mm	1650 mm
wooden parts:	Accoya, Tikkurila Terrace oil coated	
max. free fall height:	< 2000 mm	possible underground see DIN 79000:2012-05 Tab.2 or installation instructions
user height:	> 140 cm	
maximum user weight:	130 kg	
certificates:	TÜV Rheinland InterCert Kft.	